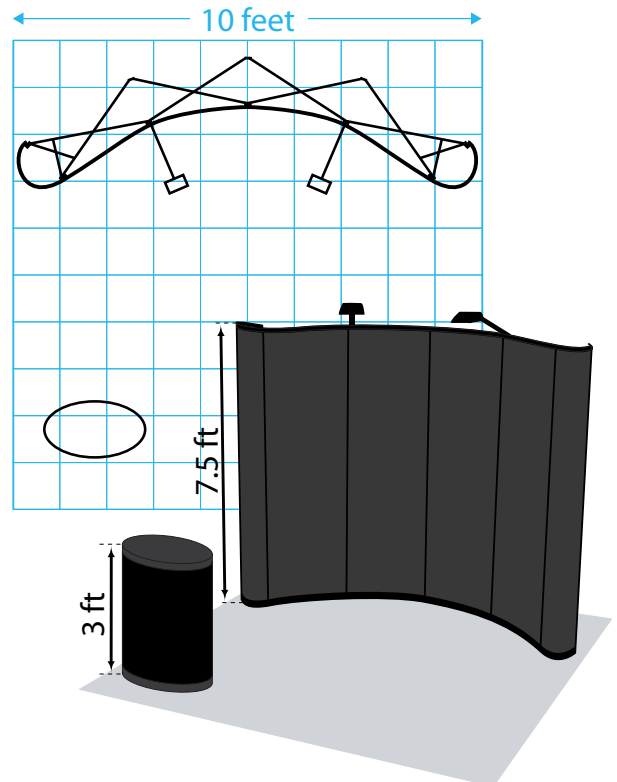
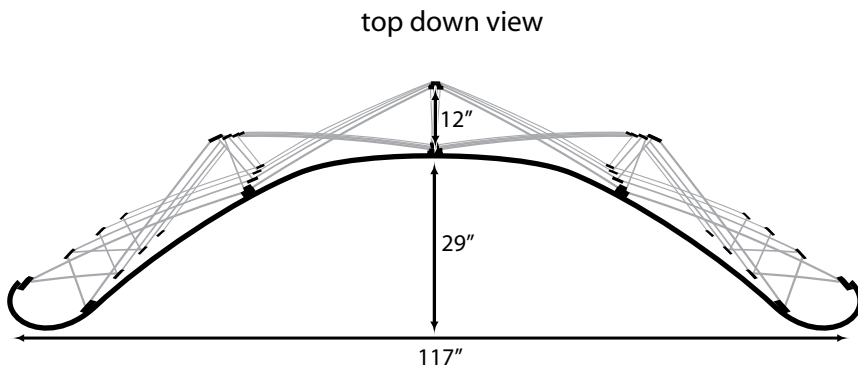
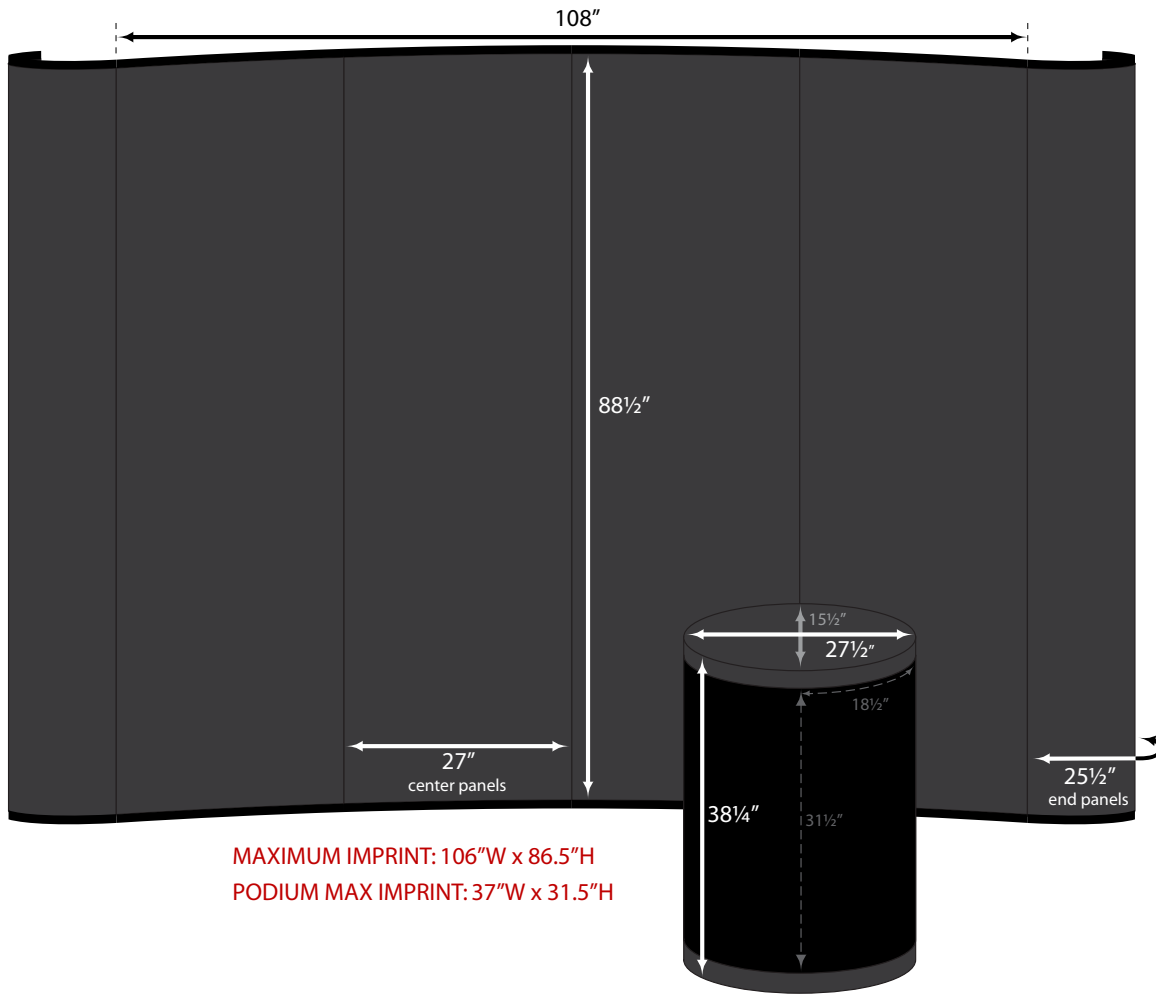


10' Floor Graphic Panel Measurements



ARTWORK GUIDELINES:
 1/8" bleed on each panel
 150 dpi minimum resolution to size, 300dpi preferred
 Individual panels cannot exceed 37" in width
 TOTAL width of panels should not exceed 108"